

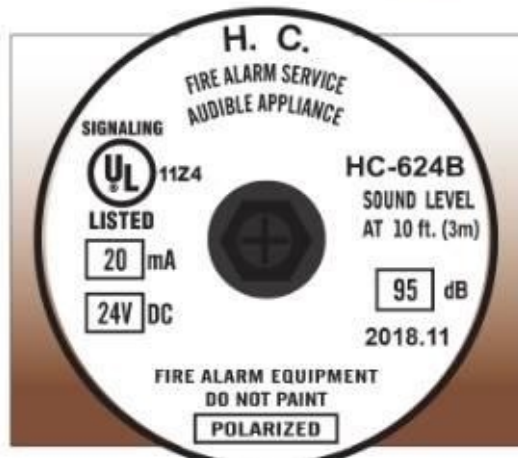
H. C. Alarm Bell

(Motor Driven)
(Coil Driven)

- Electrical System
- Fire Alarm System
- Audible Alarm Device



H. C. Ø 6" Bell



HC-624B
24 VDC



HC-1220
220 VAC

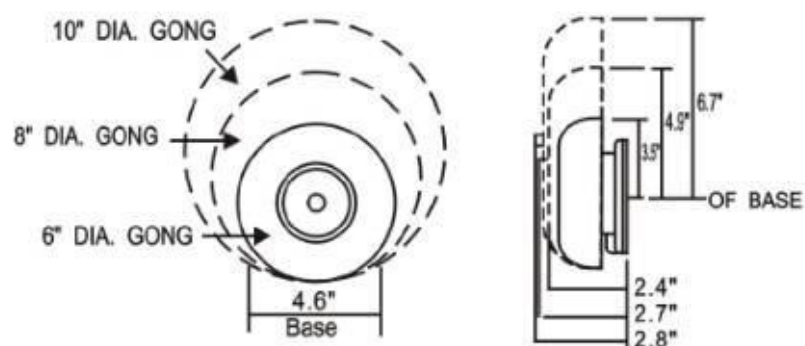


■ Features

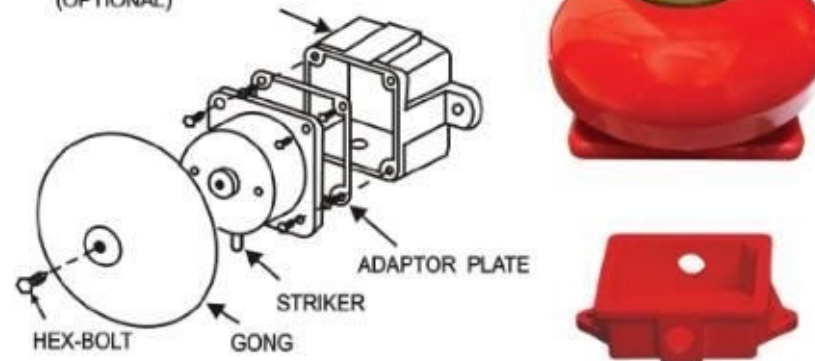
1. UL Listed Approved
2. High dBA Sounds Output
3. Low Power Consumption
4. Available in 6", 8", 10" Housing
5. Quickly and Easily Installed

■ Installation Note

1. Remove bell gong by loosening hex bolt.
2. Wire bell in circuit. (Notice Polarity)
3. Mount bell mechanism on 4" square standard outlet box with the striker facing down.
4. Replace the gong and tighten hex bolt.
5. The bell must be mounted a minimum of 8ft above the floor, or as close to the ceiling as possible.
6. Polarized bell provides Red (-) and Black (-) lead wires. When you install the bell, must observe the polarity.



WATERPROOF BACK BOX (FOR OUTDOOR USE) (OPTIONAL)



■ Specification

(Motor Driven)

Model	Gong Size	Voltage	Current	Sound Level	UL Approved
HC-624B	6 inch	24VDC	20 mA	95dB at 10ft	UL Listed

(Coil Driven)

Model	Gong Size	Voltage	Current	Sound Level	UL Approved
HC-1220	6 inch	220VAC	20 mA	97dB at 10ft	UL Listed

Manufactured by : Hong Chang Fire Brigade Materials Co., Ltd Address : No.18, Zhuye Ln., Renwu Dist., Kaohsiung City 814, Taiwan